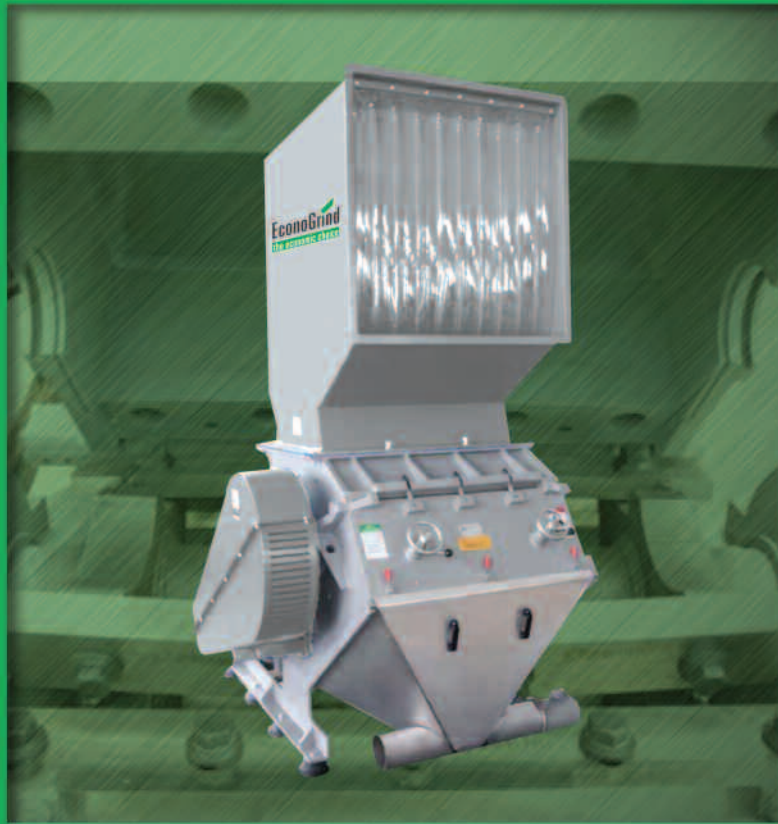


**The Economic Choice**

Beside the Press Granulators  
**ESE**

**ESE Series Granulators**

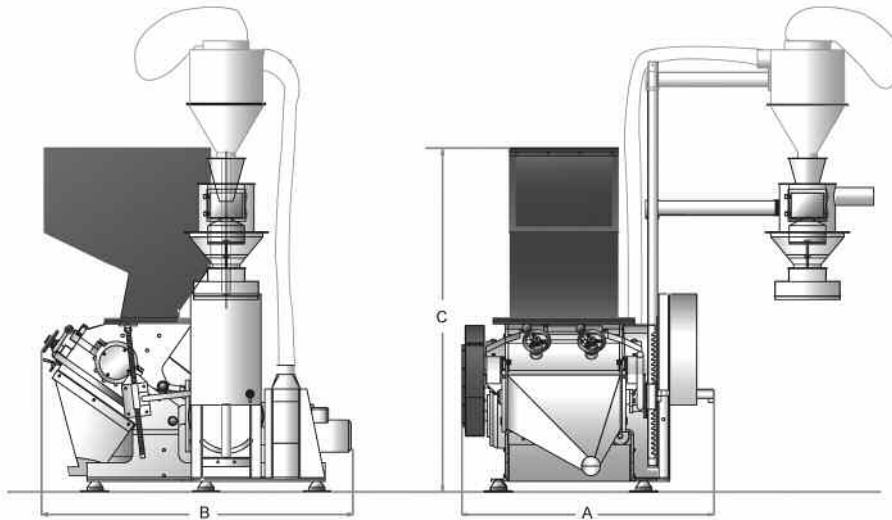


**EconoGrind**  
the economic choice

**EG2-115.1 (EG)**

# EconoGrind

the economic choice



The rotor knives are designed with the latest "V" cut technology. This design directs material to the center of the rotor from each end, using the sharp edge on the entire knife and reduces smearing on the side walls of the cutting chamber.

Specifications							
Model	Rotor Diameter, In. (mm)	Rotor Width, In. (mm)	Feed Opening, In. (mm)	Motor Power, HP (kW)	Width (A) In. (mm)	Length (B) In. (mm)	Height (C) In. (mm)
300/300	11.8 (300)	11.8 (300)	16.9 x 11.8 430 x 300	10.1-14.8 (7.5-11)	53.6 (1360)	61.0 (1550)	80.7 (2050)
300/600	11.8 (300)	23.2 (590)	16.9 x 23.2 430 x 590	14.8-24.8 (11-18.5)	65.0 (1650)	61.0 (1550)	80.7 (2050)
300/1000	11.8 (300)	39.0 (990)	16.9 x 39.0 430 x 990	24.8-29.5 (18.5-22)	74.8 (1900)	61.0 (1550)	80.7 (2050)
500/500	19.7 (500)	19.7 (500)	22.0 x 19.7 (560 x 500)	29.5-49.6 (22-37)	51.2 (1300)	74.8 (1900)	96.5 (2450)
500/700	19.7 (500)	27.6 (700)	22.0 x 27.6 (560 x 700)	40.2-60.3 (30-45)	59.1 (1500)	74.8 (1900)	96.5 (2450)
500/1000	19.7 (500)	39.0 (990)	22.0 x 39.0 (560 x 990)	49.6-73.8 (37-55)	71.0 (1800)	74.8 (1900)	96.5 (2450)
700/700	27.6 (700)	27.6 (700)	29.1 x 27.6 (740 x 700)	60.3-73.8 (45-55)	59.1 (1500)	86.6 (2200)	116.1 (2950)
700/1000	27.6 (700)	39.0 (990)	29.1 x 39.0 (740 x 990)	60.3-100.6 (45-75)	71.0 (1800)	86.6 (2200)	116.1 (2950)

## Equipment Sales

EconoGrind USA  
300 Turner Street  
South Attleboro, MA 02703-7900

Phone: 1 (508) 399-3018

Fax: 1 (508) 399-3150



## Parts and Service

ACS Customer Service Group  
Phone: 1 (800) 229-2919  
Fax: 1 (508) 399-6306



Visit our website at [www.econogrind.com](http://www.econogrind.com). Please visit or call us anytime to discuss your recycling needs.